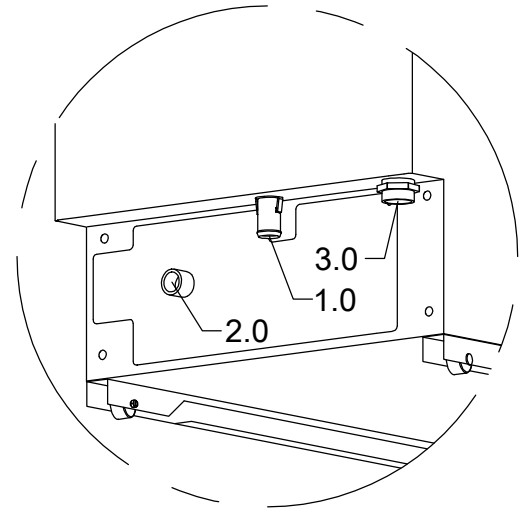
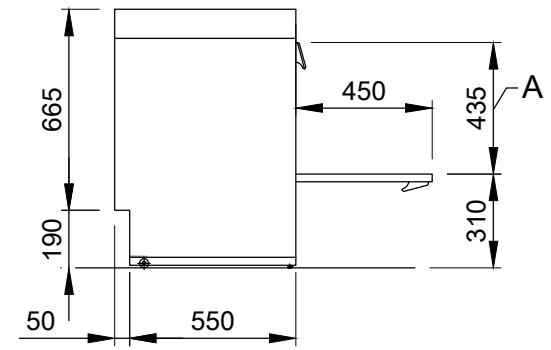
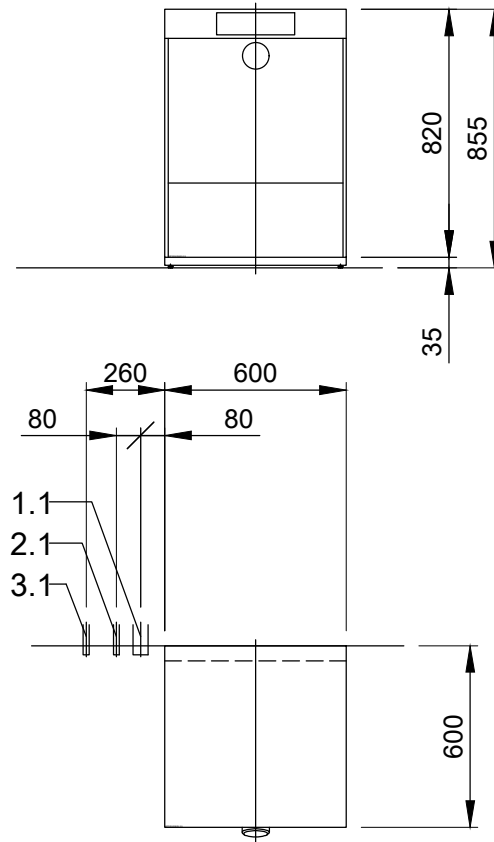



|  |  |
|--|--|
| 1.0  | machine connection: drain connection hose, DN 22 hose fitted as odour trap in interior of machine  |
| 1.1  | drain (max. 700 mm above finished floor level), DN 50  |
| 2.0  | Machine connection: fresh water supply, G 3/4"   |
| 2.1  | Soft warm water 45-60°, DN 15, G 3/4 a<br>max. 0,54 mmol/l CaCO <sub>3</sub> (max. 3°dH)<br>Flow rate: 3 l/min<br>Minimum flow pressure: 60 kPa / 0.6 bar in front of solenoid valve<br>Maximum pressure: 500 kPa / 5.0 bar<br>stopcock and fine screen ≤ 25 µm  |
| 3.0  | Machine connection: electrical connection cable 3G 2,5 mm <sup>2</sup>   |
| 3.1  | electricity supply to the machine: 1N PE 230V ~ 50Hz<br>nominal current / - capacity: 15.7 A / 2.9 kW<br>Fuse protection: 16 A<br>⚡ Voltage equalising cable<br>The master switch must be provided on site<br>Note: Electrical equipment suitable for supply voltage:<br>3N PE 380-415 V 50 Hz / 1N PE 220-240 V 50 Hz |
| 6.0  | Heat load of warewash area   |
| 6.1  | for 20 programme cycles/h<br>total 2.1 kW, perceptible 1.4 kW, latent 0.7 kW   |
| Connecting cable, included but not installed 2,5m                  |  |
| the position of the connection piping can also be mirror-inverted! |  |
| <b>Machine Equipment</b>   |  |
| (A) Entry height   |  |
| Final rinse dosing unit with suction lance (blue connector)        |  |
| Detergent dosing unit and suction lance                            |  |
| Roller base 35 mm  |  |



|   |                |                                      |         |
|---|----------------|--------------------------------------|---------|
|  <p>MEIKO Australia-Pacific Pty Ltd<br/>Unit 4, 72 - 74 Gibbes Street<br/>Chatswood NSW 2067<br/>TEL. +61-1300 367 730, Telefax +61-1300 656 420<br/>E-MAIL: info@meiko.com.au</p> | Revision       |                                      |         |
|   | Reference      | DISHWASHER<br>STANDARD DRAWING / AUS |         |
|   | Type           | M-ICLEAN UM+<br>M2                   |         |
|   | TYPE: CROCKERY |                                      |         |
|   | Drawing-No.    | S00086134                            |         |
|   | Order-No.      |                                      |         |
|   | Scale          | 1:25                                 |         |
|   | drawn:         | 03.08.2020                           | m-iplan |
|   | checked:       | 03.08.2020                           | m-iplan |

This drawing may not be neither passed to third parties for their information or copied or used for competitive purposes without our consent. All rights reserved. We reserve the right to make changes resulting from technical progress. This drawing was computer generated and is not subject to the checking and any release process; it is also not subject to change management.  
Please note:  
This document is only valid in conjunction with the conditions defined in Supplementary Sheet "Important Information". These can be requested from the manufacturer or downloaded from the Partnernet.